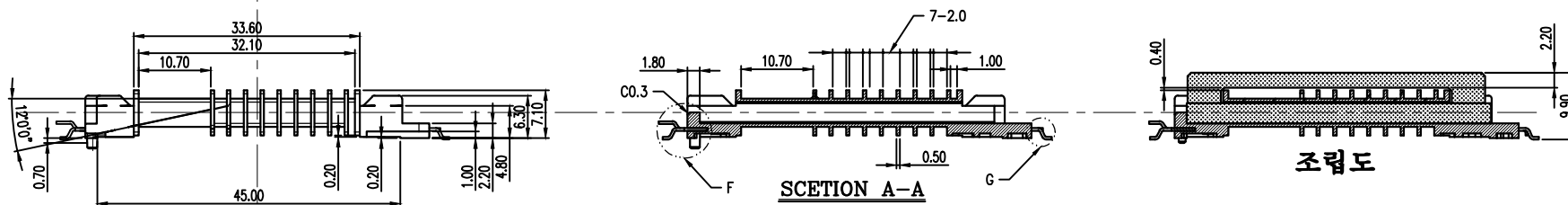


SECTION B-B

SECTION C-C

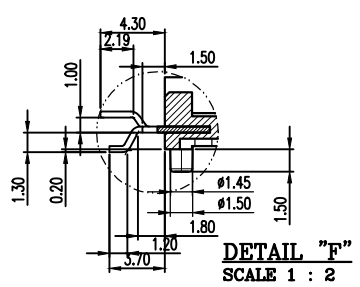
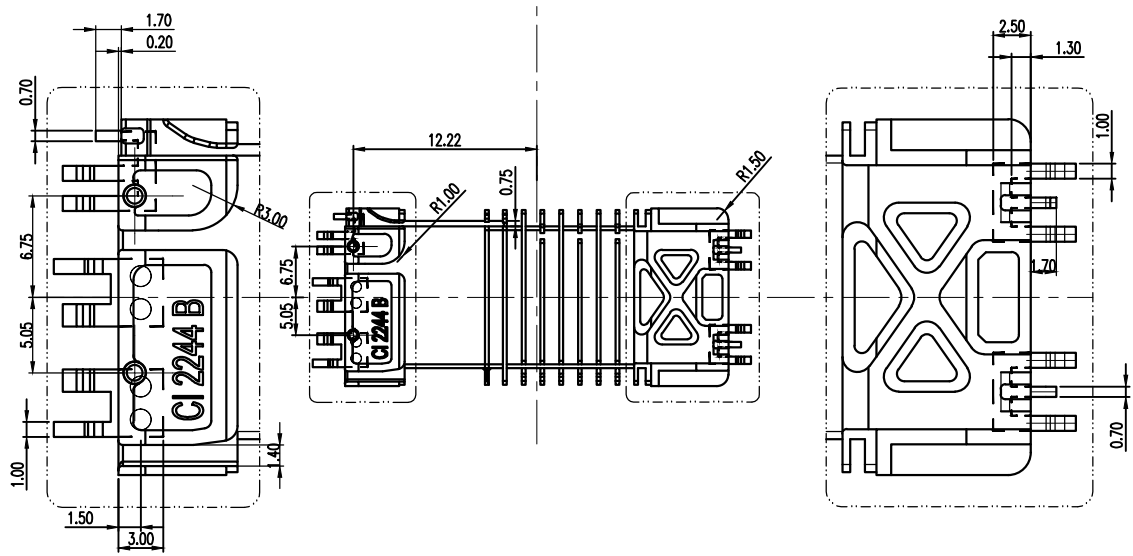
SECTION D-D

SECTION E-E

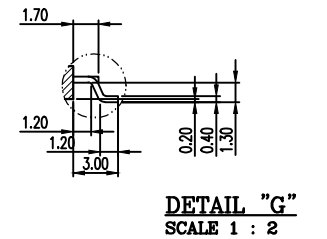


SECTION A-A

조립도



DETAIL "F"
SCALE 1 : 2



DETAIL "G"
SCALE 1 : 2

▲									
▲									
▲									
MARK	REVISION NOTE			DATE	DRAWN	CHECKED	APPROVED		
DRAWN	CHECKED	APPROVED	MATERIAL : LCP	UL REC. : UL94V-0	THIRD ANGLE PROJ.	SCALE : 2/1			
Doa Seo, Kim	Hyung Seok, Lee	Chul, Park	Z : PIN LENGTH (According to customer's request)	DATE : 2009.02.25	TOLERANCE : ±0.2 (Unless otherwise specified)	UNIT : mm			
주식회사 대흥보빈 DAE HEUNG BOBBIN CO., LTD.			TITLE	CI 22*44 B	DWG NO	DH-090930-7049-01			